



2.2.1

HYDRAULIC PILOT REMOTE CONTROL JOYSTICKS

Type : YDVH1、YDVH3

Benefits:

- Several ergonomic grips with various E contacts
- Hydraulic proportional output
- Low hysteresis, high precision



YDVH1



YDVH3
(Multi-function handle lever)

Contents

	Page
Features	03
Section view	04
Fuction symbol	04
Technical data	05
Ordering code	05
Control ranges	08
Unit dimension	08-12

Features

1. Applications



Excavator



Tractor loader backhoes

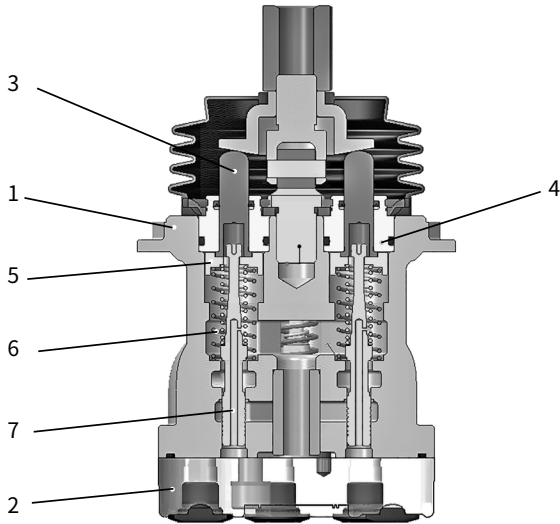


Wheel loaders



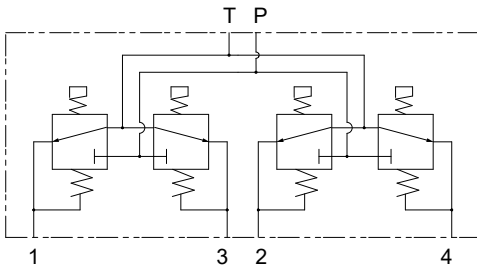
Cranes

Section view

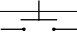


1. Valve body
2. Valve cover
3. Rubber boot
4. Rod seat
5. Spring seat
6. Spring
7. Spool

Function symbol

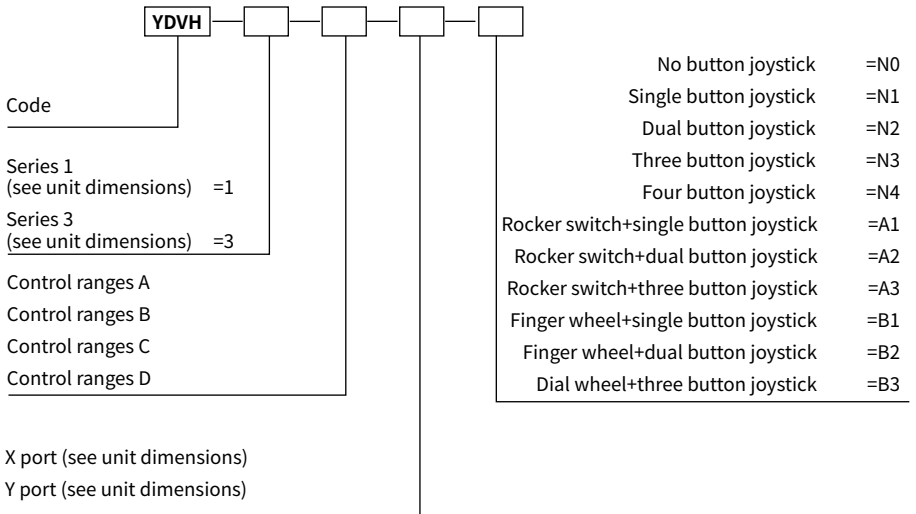


Technical data




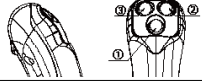
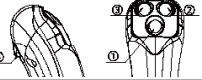



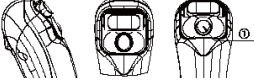

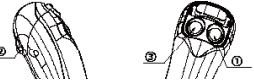
Working medium	Hydraulic oil
Pressure fluid temperature range	-20°C ~+90°C
Viscosity range	10~380 cSt
Inlet pressure	60bar
Back pressure at port T	≤ 3bar
Pilot oil flow	≤ 20L/min
Switch Type	
The specified electricity is loaded	Voltage: 12~30 VDC Current: 100~3000 mA

02

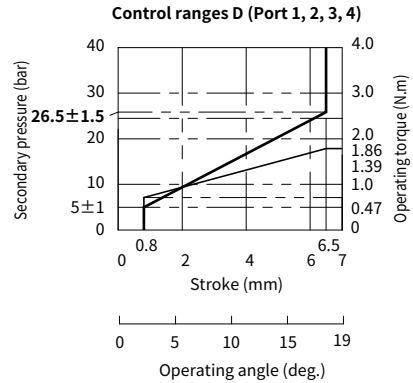
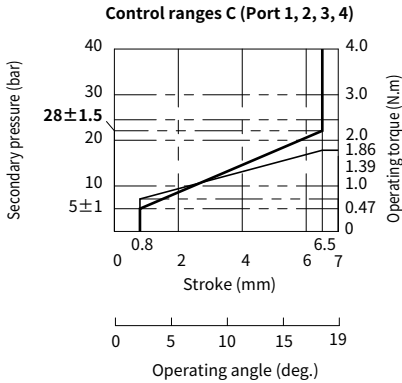
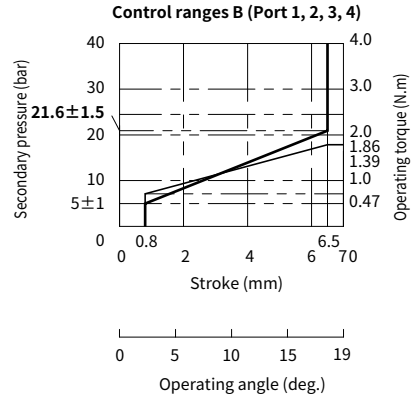
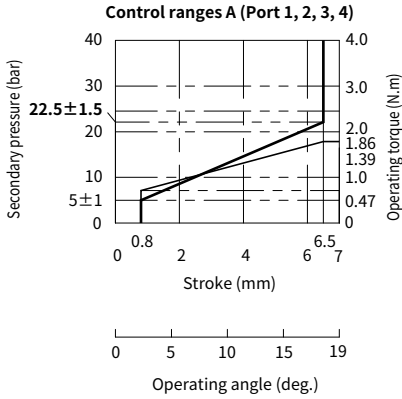
Ordering code



Schematic diagram of joystick

Describe	Number	Graphic
No button joystick	N0	
Single button joystick	N1	
Dual button joystick	N2	
Three button joystick	N3	
Four button joystick	N4	
Rocker switch+single button joystick	A1	
Rocker switch+dual button joystick	A2	
Rocker switch+three button joystick	A3	
Finger wheel+single button joystick	B1	
Finger wheel+dual button joystick	B2	
Dial wheel+three button joystick	B3	

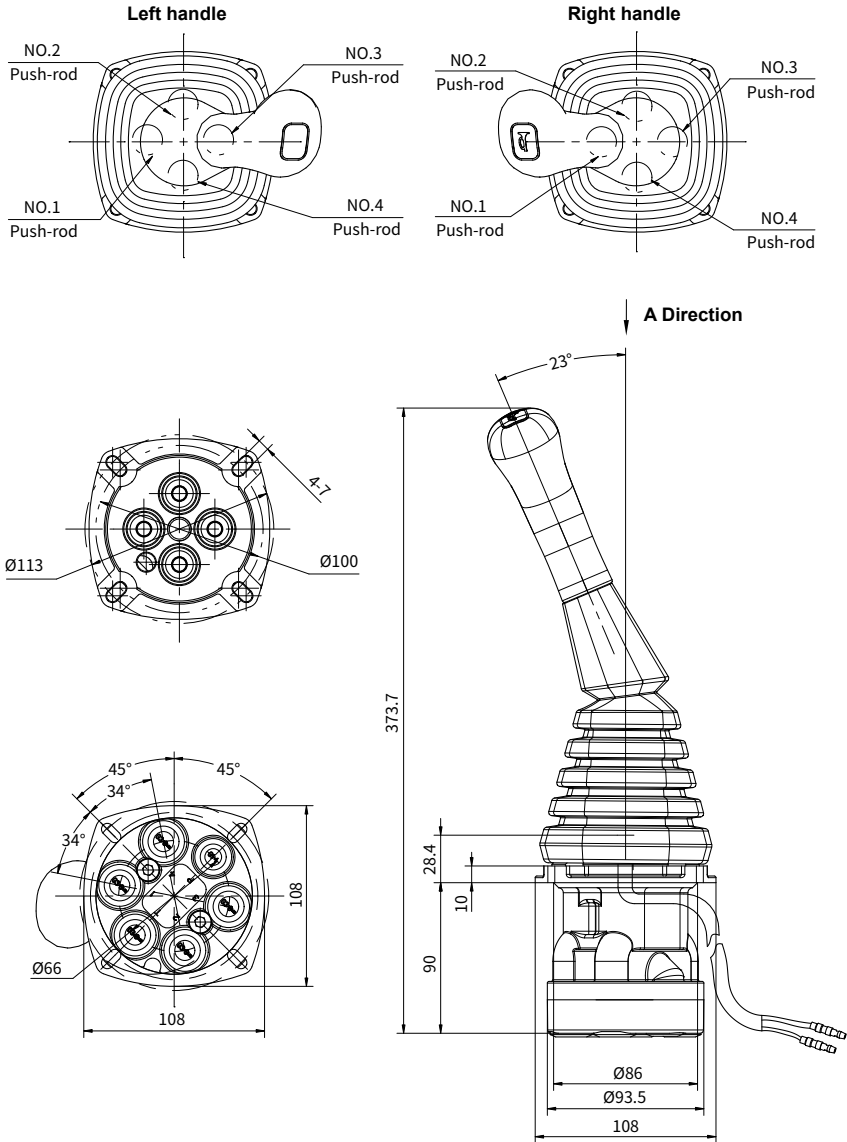
Control ranges



02

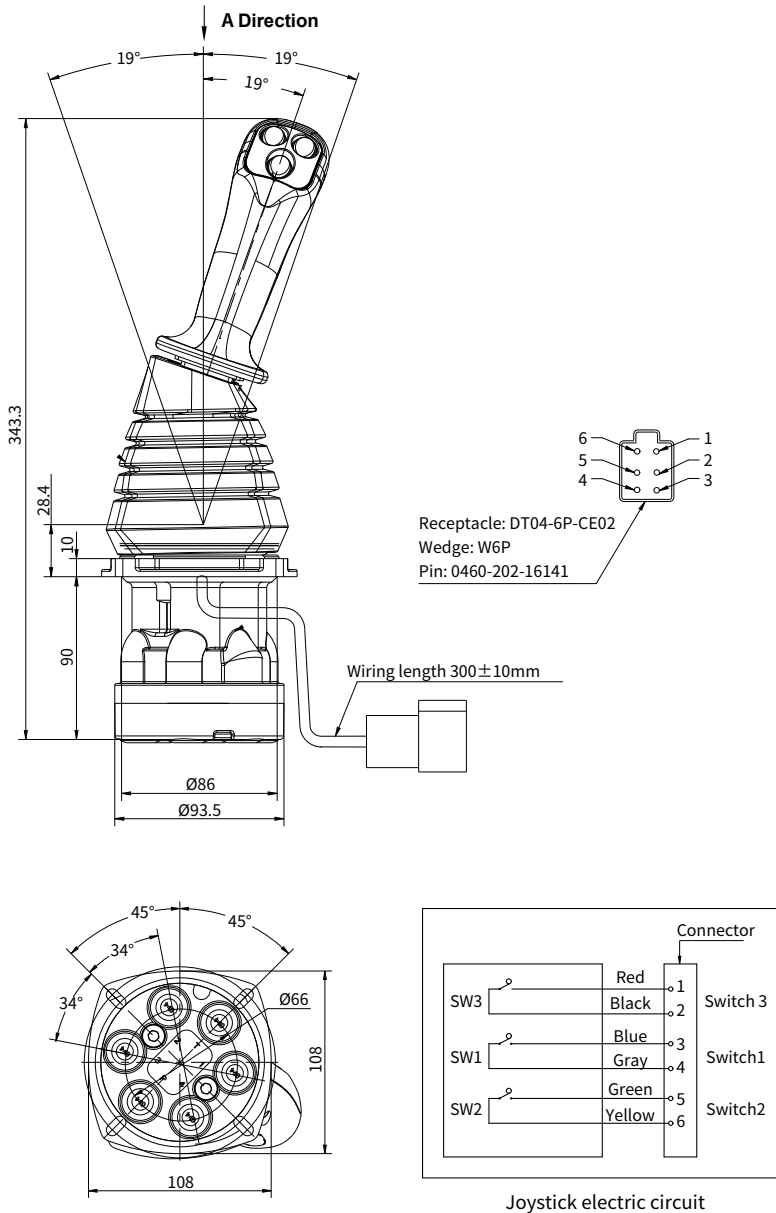
Unit dimensions

• YDVH1



Unit dimensions

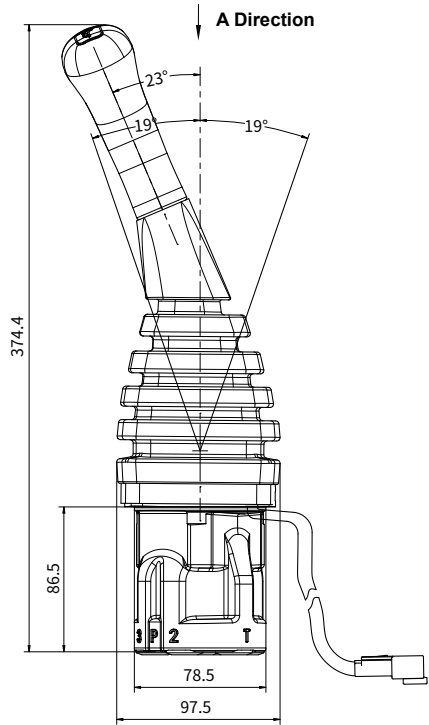
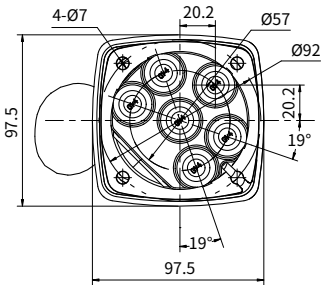
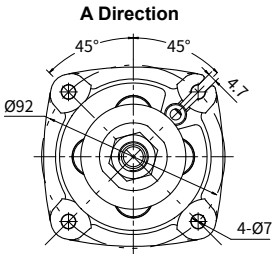
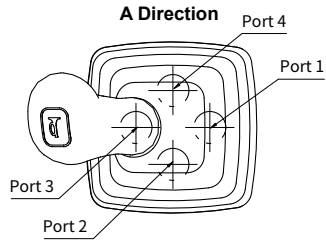
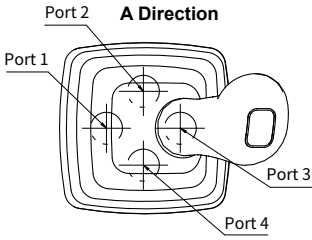
· YDVH1 (Multi-function handle lever)



02

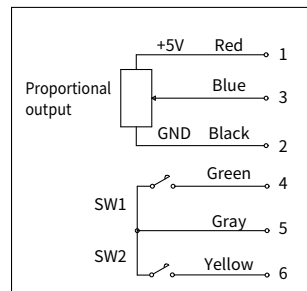
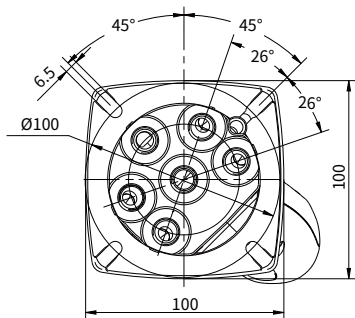
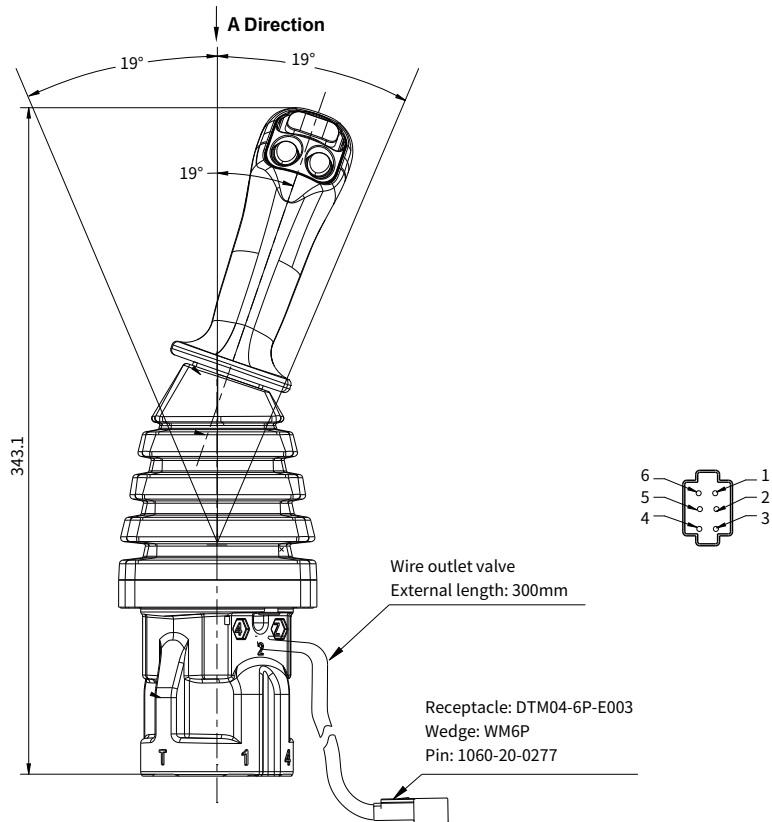
Unit dimensions

· YDVH3



Unit dimensions

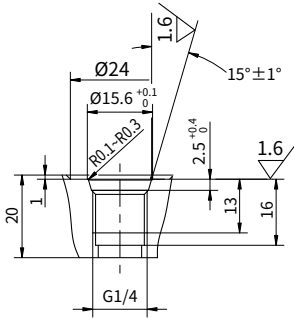
• YDVH3 (Multi-function handle lever)



Joystick electric circuit

Unit dimensions

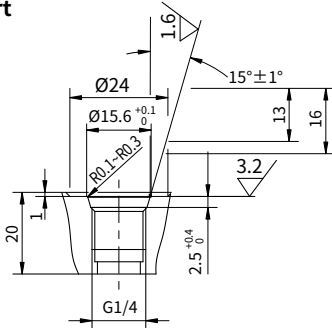
• X port



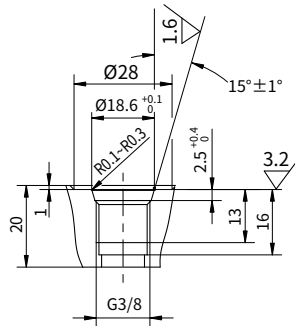
Port: P, 1, 2, 3, 4, T

02

• Y port



Port: P



Port: 1, 2, 3, 4, T

China

+86 400 101 8889

America

+01 630 995 3674

Germany

+49 (30) 72088-0

Japan

+81 03 6809 1696



© This brochure can be reproduced, edited, reproduced or transmitted electronically without the authorization of Hengli Hydraulic Company. Due to the continuous development of the product, the information in this brochure is not specific to the specific conditions or applicability of the industry, thus, Hengli does not take any responsibility for any incomplete or inaccurate description.



2.2.2

HYDRAULIC PILOT REMOTE CONTROL JOYSTICKS

Type : YDVH4

Benefits:

- Several ergonomic grips with various E contacts
- Hydraulic proportional output
- Low hysteresis, high precision



Contents

	Page
Features	03
Section view	04
Fuction symbol	04
Technical data	05
Ordering code	05
Control ranges	06
Unit dimension	07-08

Features

1. General introduction

- YDVH4 series handles were developed specifically for Skid steer loader.
- The left handle integrated shuttle valve function.
- The right handle integrates electromagnetic suction function.
- The handle lever can be configured with a variety of switches.

2. Applications



Skid steer loader



Tractor loader backhoes

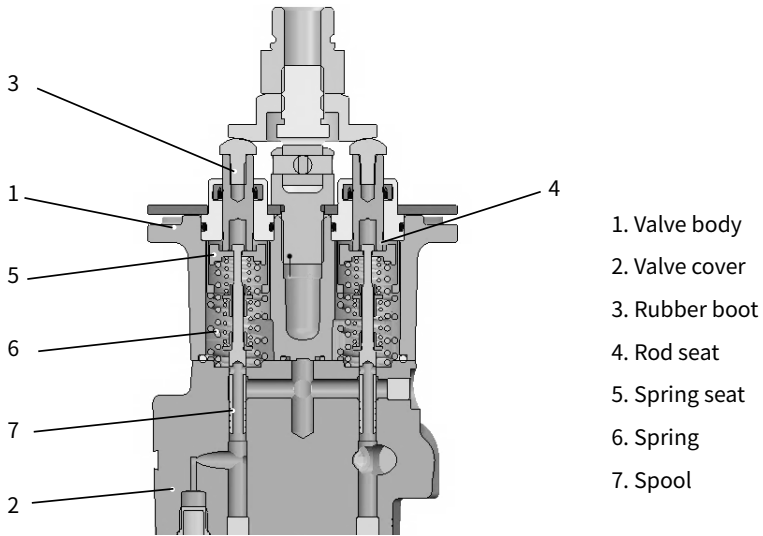


Wheel loaders



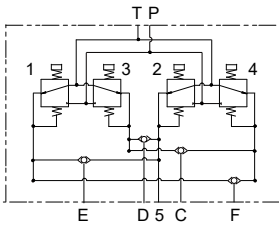
Excavator

Section view

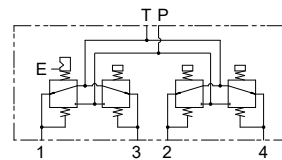


Function symbol

• YDVH4 left joystick



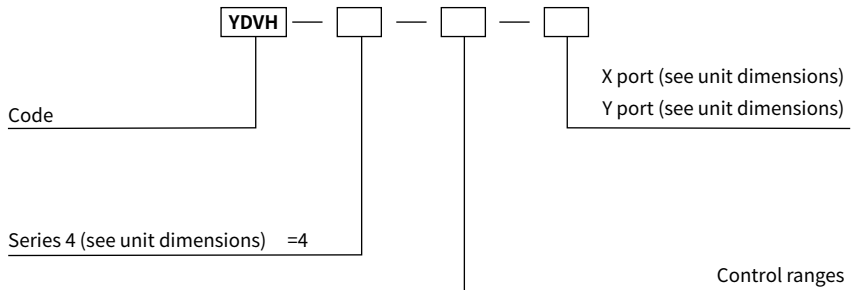
• YDVH4 right joystick



Technical data

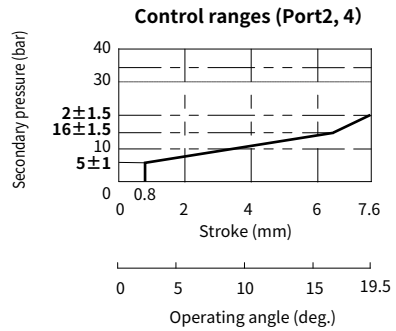
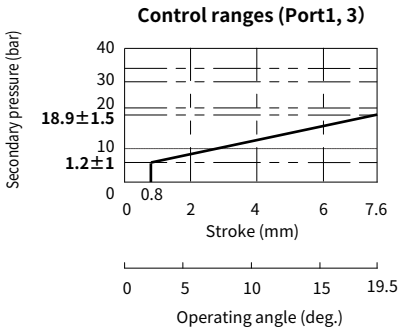
Working medium	Hydraulic oil
Pressure fluid temperature range	-20°C ~+90°C
Viscosity range	10~380 cSt
Inlet pressure	100 bar
Back pressure at port T	≤ 3 bar
Pilot oil flow	≤ 20 L/min
Switch Type	Rocker switch, button switch
The specified electricity is loaded	Voltage: 12~30 VDC Current: 100~3000 mA

Ordering code



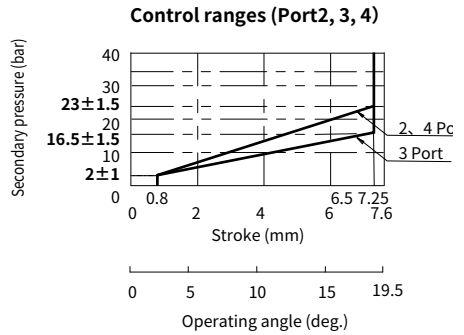
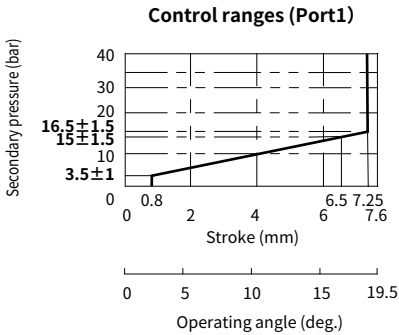
Control ranges

• YDVH4 left joystick



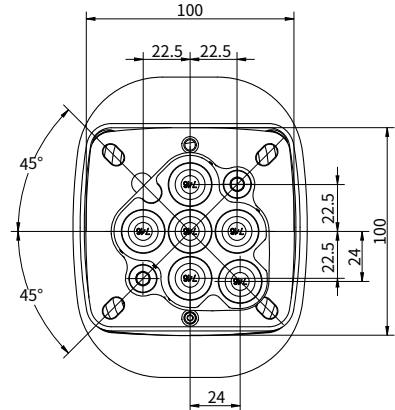
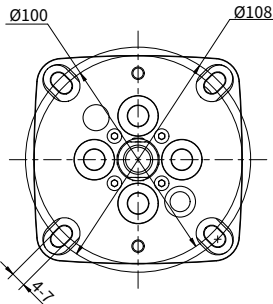
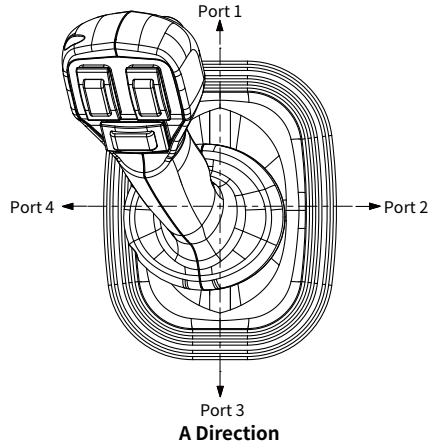
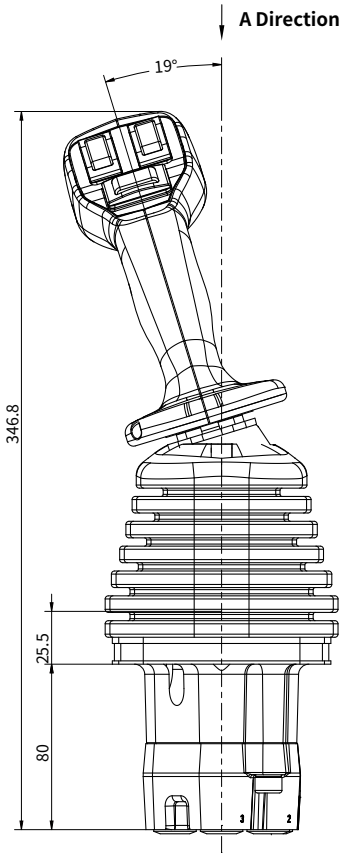
02

• YDVH4 right joystick



Unit dimensions

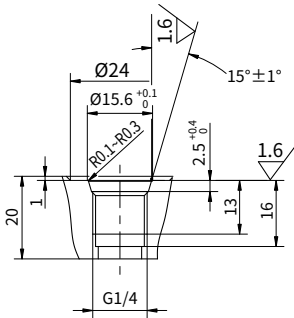
· YDVH4



02

Unit dimensions

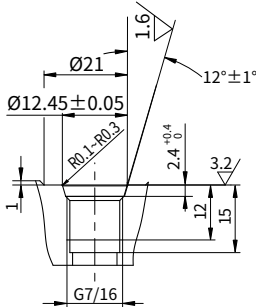
· X port



Port: P, T, 1, 2, 3, 4

02

· Y port



Port: P, T, 1, 2, 3, 4

China

+86 400 101 8889

America

+01 630 995 3674

Germany

+49 (30) 72088-0

Japan

+81 03 6809 1696



© This brochure can be reproduced, edited, reproduced or transmitted electronically without the authorization of Hengli Hydraulic Company. Due to the continuous development of the product, the information in this brochure is not specific to the specific conditions or applicability of the industry, thus, Hengli does not take any responsibility for any incomplete or inaccurate description.



2.2.3

HYDRAULIC PILOT REMOTE CONTROL JOYSTICKS

Type : YDVH5

Benefits:

- Several ergonomic grips with various E contacts
- Hydraulic proportional output
- Low hysteresis, high precision



Contents

	Page
Features	03
Section view	04
Fuction symbol	04
Technical data	05
Ordering code	05
Control ranges	06
Unit dimension	07-08

Features

1. General introduction

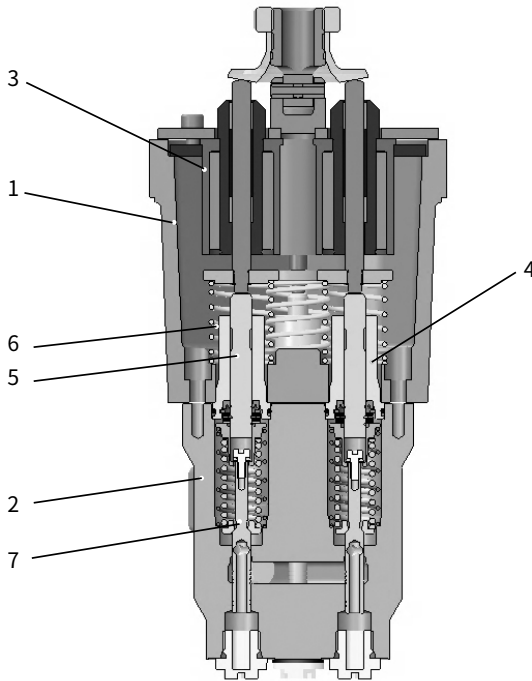
- YDVH5 series handles were developed specifically for loader.
- The handle integrates electromagnetic suction function.
- The handle lever can be configured with a variety of switches.

2. Applications



Wheel loaders

Section view

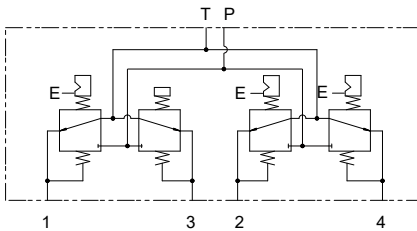


1. Valve body
2. Valve body
3. Electromagnet
4. Rod seat
5. Rod
6. Spring
7. Spool

02

Function symbol

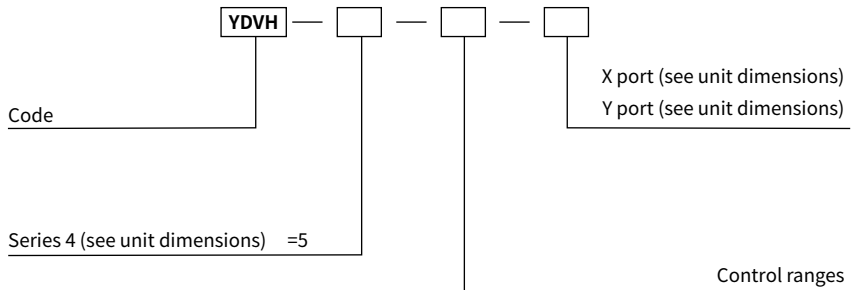
• YDVH5 joystick



Technical data

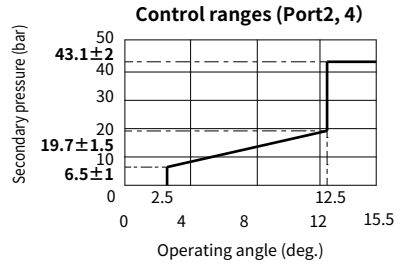
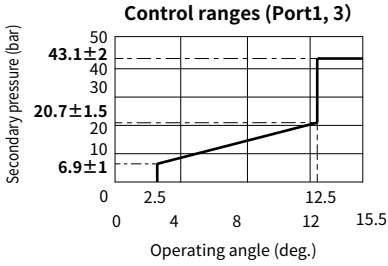
Working medium	Hydraulic oil
Pressure fluid temperature range	-20°C ~+90°C
Viscosity range	10~380 cSt
Inlet pressure	100 bar
Back pressure at port T	≤ 3 bar
Pilot oil flow	≤ 20 L/min
Switch Type	Rocker switch, button switch
The specified electricity is loaded	Voltage: 12~30 VDC Current: 100~3000 mA

Ordering code



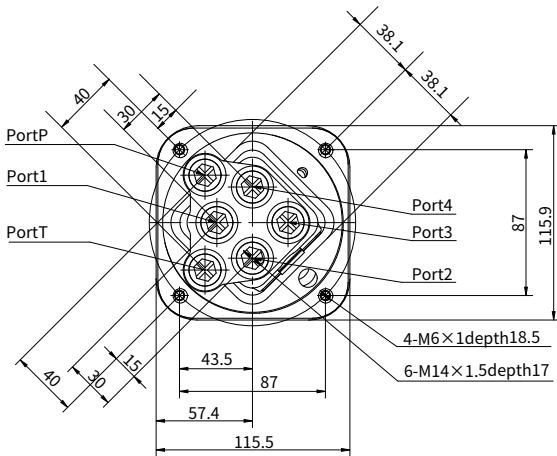
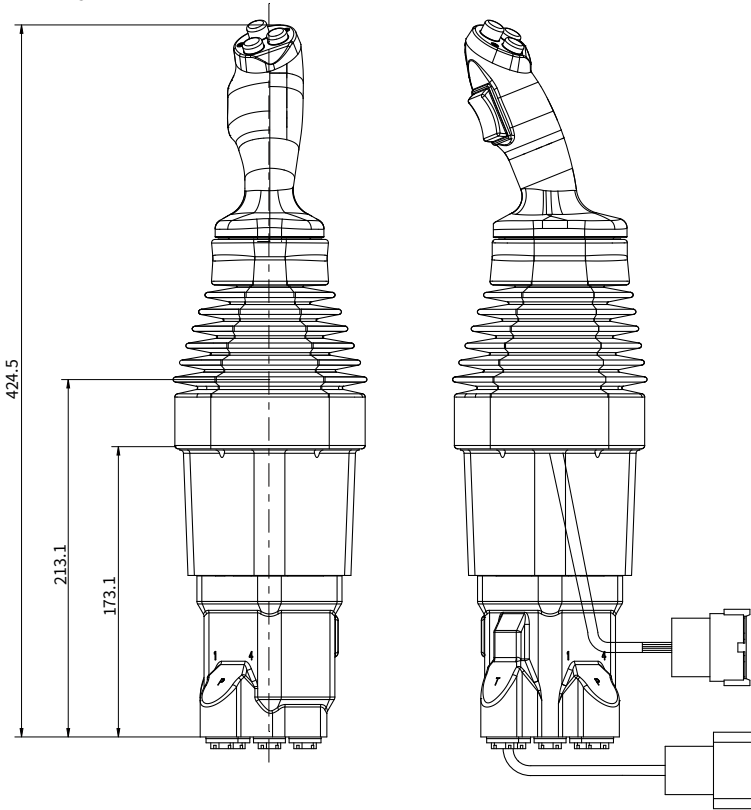
Control ranges

• YDVH5



Unit dimensions

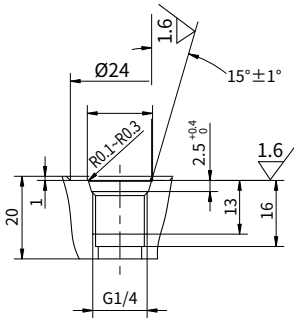
· YDVH5



02

Unit dimensions

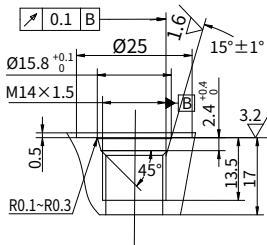
· X port



Port: P, T, 1, 2, 3, 4

02

· Y port



Port: P, T, 1, 2, 3, 4

中国

+86 400 101 8889

美国

+01 630 995 3674

德国

+49 (30) 72088-0

日本

+81 03 6809 1696



© 未经恒立液压公司授权，此宣传册任何部分不得以任何方式翻版、编辑、复制及使用电子方式进行传播。由于产品一直在不断开发创新中，本宣传册中信息不针对特定行业的特殊条件或适用性，对于因此而产生的任何不完整或不准确描述，恒立液压不承担责任。