



1.2

# **EHV50** SERIES

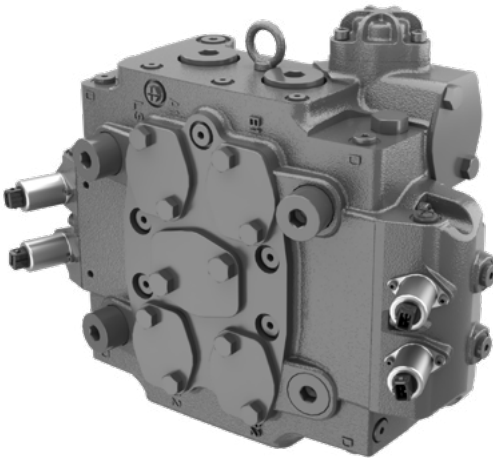
## **LOAD SENSING PROPORTIONAL CONTROL VALVE**

**EHV50:**

Rated pressure (bar)	375
Rated flow (L/min)	500

**Benefits:**

- High efficiency
- Precise controllability
- Low pressure drop,  
less fuel consumption
- Good maneuverability



## Contents

	Page
Features	03
Section view	04
Technical data	05
Hydraulic diagram	06
Unit dimensions	07

## Features

### 1. System

- Closed center, for load-sensing variable displacement pump
- Anti-drop valve
- Low pressure drop, less fuel consumption

### 2. Structure

- Monoblock design

### 3. Pressure

- secondary pressure relief valve

### 4. Flow

- Precise control
- Low hysteresis
- Quick response

### 5. Applications



Reach stacker

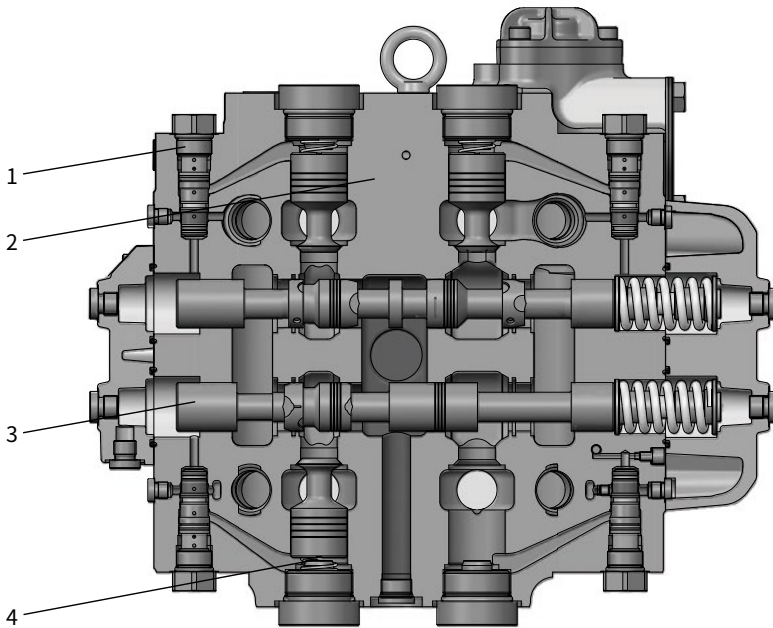


Forklift



Loader

## Section view



1. Sequence valve

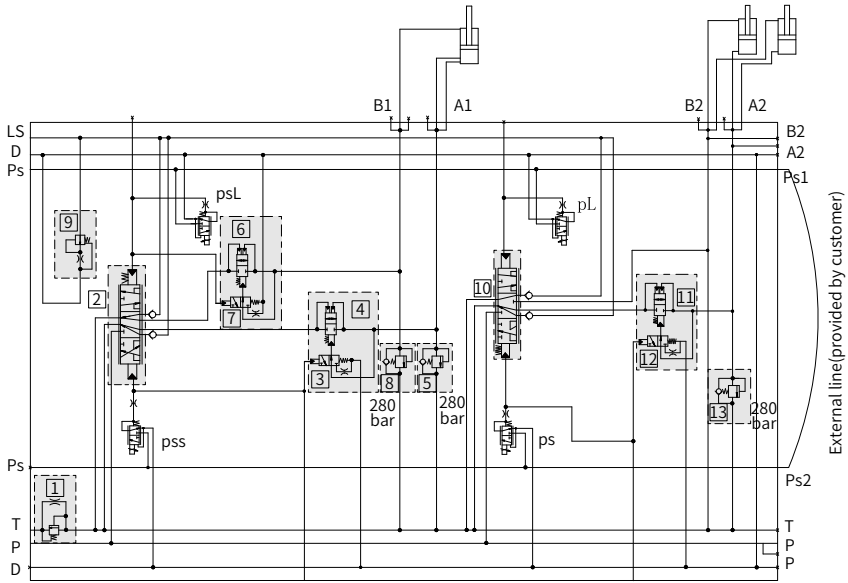
2. Valve block

3. Main spool

4. Load holding check valve

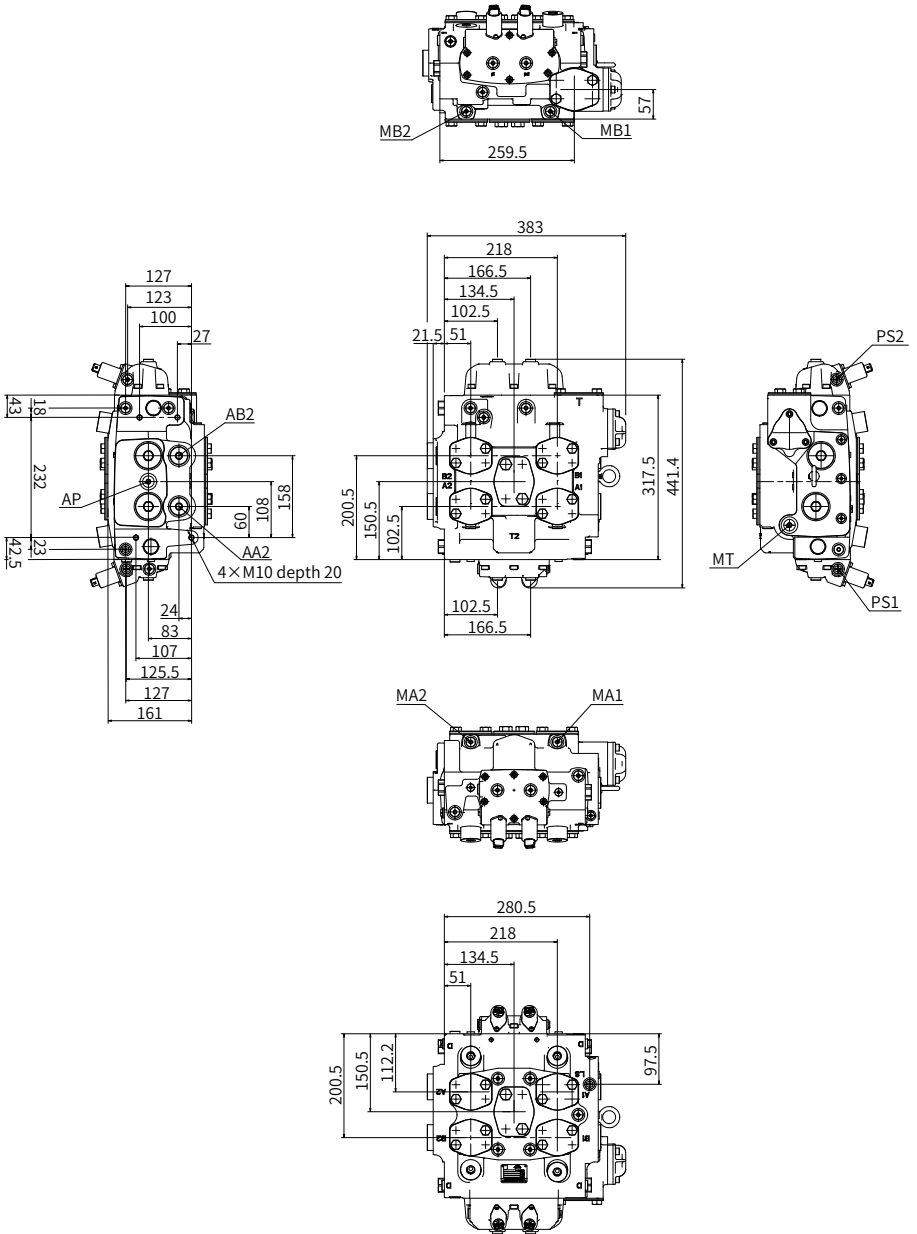


# Hydraulic diagram



- |    |                              |    |                              |
|----|------------------------------|----|------------------------------|
| 1  | Back pressure valve          | 2  | Section 1                    |
| 3  | Sequence valve, A1           | 4  | Load holding check valve, A1 |
| 5  | Port relief valve, A1        | 6  | Load holding check valve, B1 |
| 7  | Sequence valve, B1           | 8  | Port relief valve, B1        |
| 9  | LS oil drain                 | 10 | Section 2                    |
| 11 | Load holding check valve, A2 | 12 | Sequence valve, A2           |
| 13 | Port relief valve, A2        |    |                              |

# Unit dimensions



01

**China**

+86 400 101 8889

**America**

+01 630 995 3674

**Germany**

+49 (30) 72088-0

**Japan**

+81 03 6809 1696



© This brochure can be reproduced, edited, reproduced or transmitted electronically without the authorization of Hengli Hydraulic Company. Due to the continuous development of the product, the information in this brochure is not specific to the specific conditions or applicability of the industry, thus, Hengli does not take any responsibility for any incomplete or inaccurate description.