



4.2

DHF SERIES

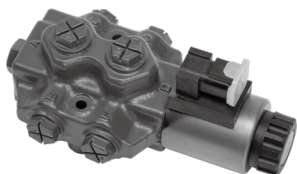
Reversing valve

EHV:

Nominal size	04	04A	06	14	05	05A
Maximum pressure(bar)	350	210	315	315	315	210
Rated flow(L/min)	25	25	60	140	35	50

Benefits:

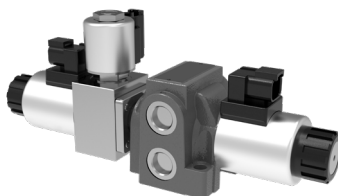
- 6 way 2 position valve, 4 way 3 position valve, etc.
- Directional spool valve with direct solenoid control.
- Control spool operated by solenoid, with easily removable coil fastened by a ring nut.



DHF06



DHF04A



DHF05A

Contents

	Page
Features	03
Section view	04
Technical data	05
Ordering code	06-07
DHF04 Unit dimensions	08
DHF04A Unit dimensions	09
DHF06 Unit dimensions	10
DHF14 Unit dimensions	11
DHF05 Unit dimensions	12
DHF05A Unit dimensions	13

Features

1. System:

- **Directional spool valve with direct solenoid control.**
- Control spool operated by solenoid, with easily removable coil fastened by a ring nut.
- Hydraulic pilot control, Electrical switch.

2. Structure:

- 6 way 2 position valve (DHF04、DHF06、DHF14)
- 4 way 2 position valve (DHF04A)
- 4 way 3 position valve (DHF05、DHF05A)

3. Applications:



Excavators



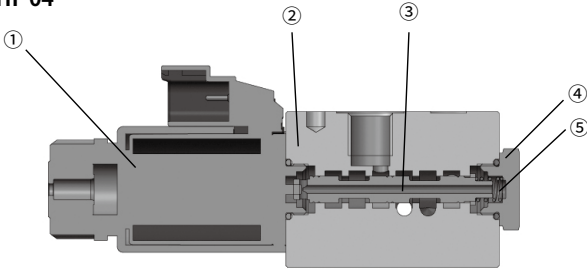
Telescopic
handler



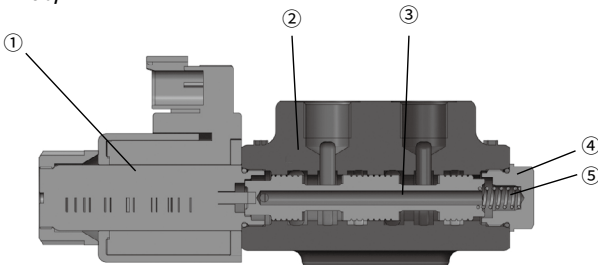
Aerial work
platform

Section view

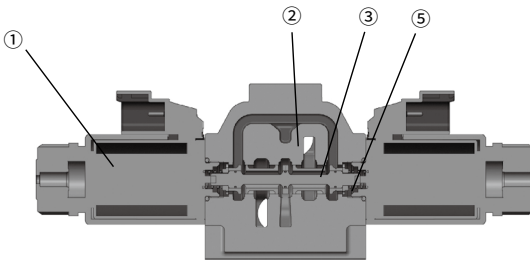
· DHF 04



· DHF 06/14

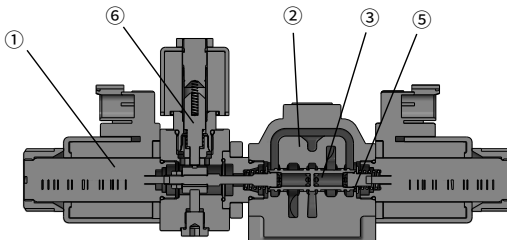


· DHF 05



1. Solenoid
2. Valve block
3. Spool
4. With plug
5. Spring
6. Electromagnetic lock

· DHF 05A



Technical data

General

Structure	6 way 2 position valve			4 way 2 position valve (combination)
Nominal size:	04	06	14	04A
Connection type	ISO 1179-1			
Mass (kg)	1.4	1.6	7.7	5.2
Unit dimensions	139.1×46×59.5	174.5×74×73.2	259×105×92.3	213.7×93×68

Structure	way 3 position valve	
Nominal size:	05	05A
Connection type	ISO 1179-1	
Mass (kg)	2.3	3.7
Unit dimensions	206.8×65×72.5	246.9×65×106.5

Hydraulic

Nominal Size		04	04A	06	14	05	05A
Rated flow	Q (L/min)	25	25	60	140	35	50
Maximum pressure	Internal oil leakage (bar)	250	210	200	200	315	210
	External oil leakage (bar)	350		315	315		

Using environment

Hydraulic fluid	Mineral oil (HL, HLP) according to DIN 51524. Other hydraulic fluids, such as HEES (Synthetic Ester) according to VDMA 24568.
Hydraulic fluid temperature range(°C)	-20 to +90
Viscosity range ν (mm ² /s)	10 to 380
Maximum permissible degree of contamination of the pressure fluid cleanliness class to ISO 4406 (C)	Class 20/18/15, we therefore recommend a filter with a minimum retention rate of $\beta_{10} \geq 75$

(For applications outside above mentioned parameters, please consult our sales dept.)

Electric

Electrical on/off:
 · Connection: Deutsch DT04-2P
 · Protection class: IP69k
 · Supply voltage: 12 or 24VDC

Ordering code



① Structure	DHF	6 way 2 position valve		DHF	4 way 2 position valve (combination)
② Nominal size		04	06	14	04A
③ Spool symbol	6A				L
	6B				
④ Operator type	EG24	Electrical switch control, 24V			
	EG12	Electrical switch control, 12V			
	H..	Hydraulic control, using two digits to represent the pressure value in bar. (04A 除外)			
⑤ Manual emergency operation button	N	With manual emergency operation button			
⑥ plug	K7	Deutsch DT04-2P			

Ordering code

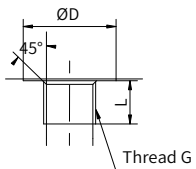
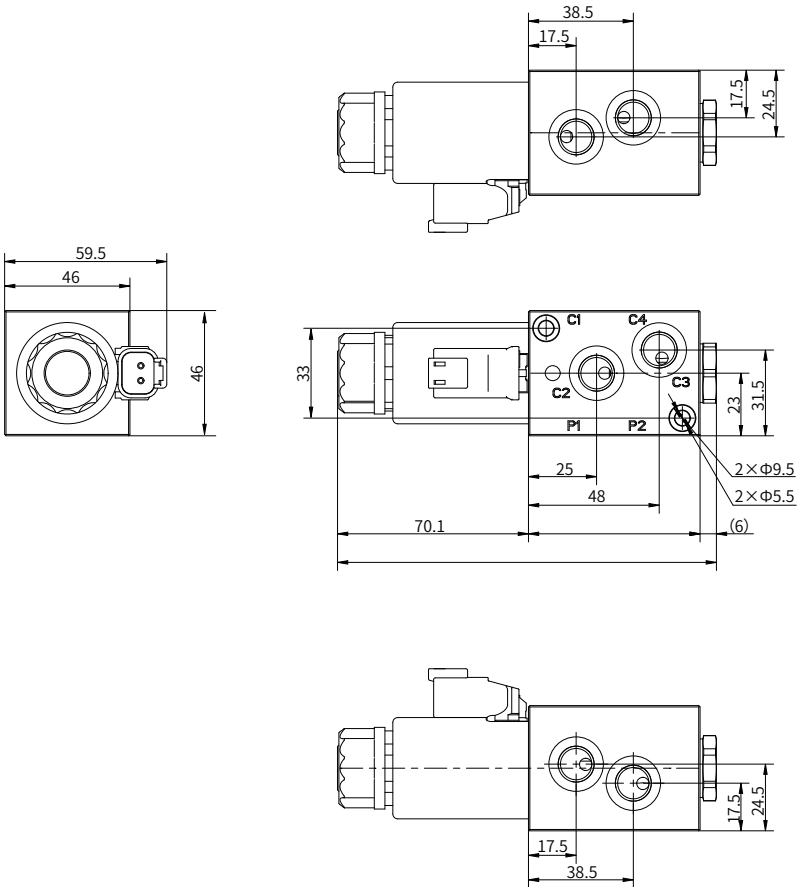


① Structure	DHF	way 3 position valve	
② Nominal size		05	05A
③ Spool symbol		<div style="display: flex; justify-content: space-between;"> <div style="width: 45%;"> <p>E</p> </div> <div style="width: 45%;"> <p>H</p> </div> </div>	<div style="display: flex; justify-content: space-between;"> <div style="width: 45%;"> <p>G</p> </div> <div style="width: 45%;"> <p>EL</p> </div> </div>
④ Operator type	EG24	Electrical switch control, 24V	
	EG12	Electrical switch control, 12V	
⑤ Manual emergency operation button	N	With manual emergency operation button	
⑥ plug	K7	Deutsch DT04-2P	

04

Unit dimensions

· DHF 04



Port dimension

P1 port, P2 port: G1/4

C1 port, C2 port: G1/4

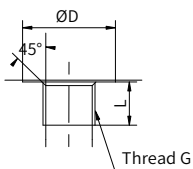
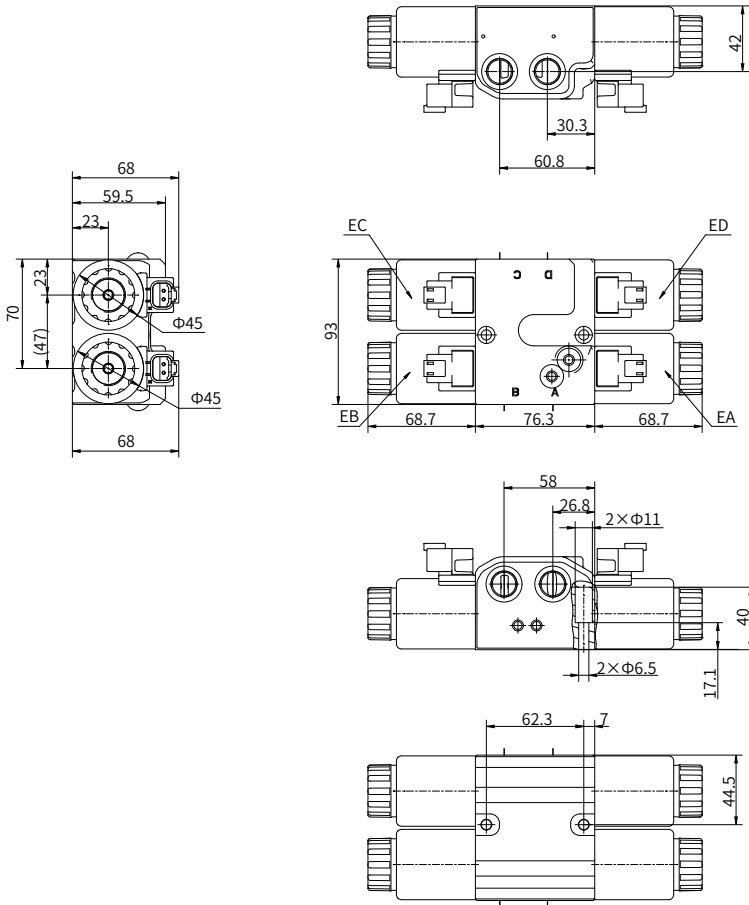
C3 port, C4 port: G1/4

Thread dimensions

G1/4: ΦD 20 L 12.5

Unit dimensions

• DHF 04A



Port dimension

p port: G3/8

A port: G3/8

B port: G3/8

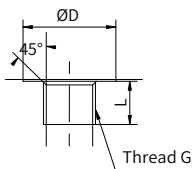
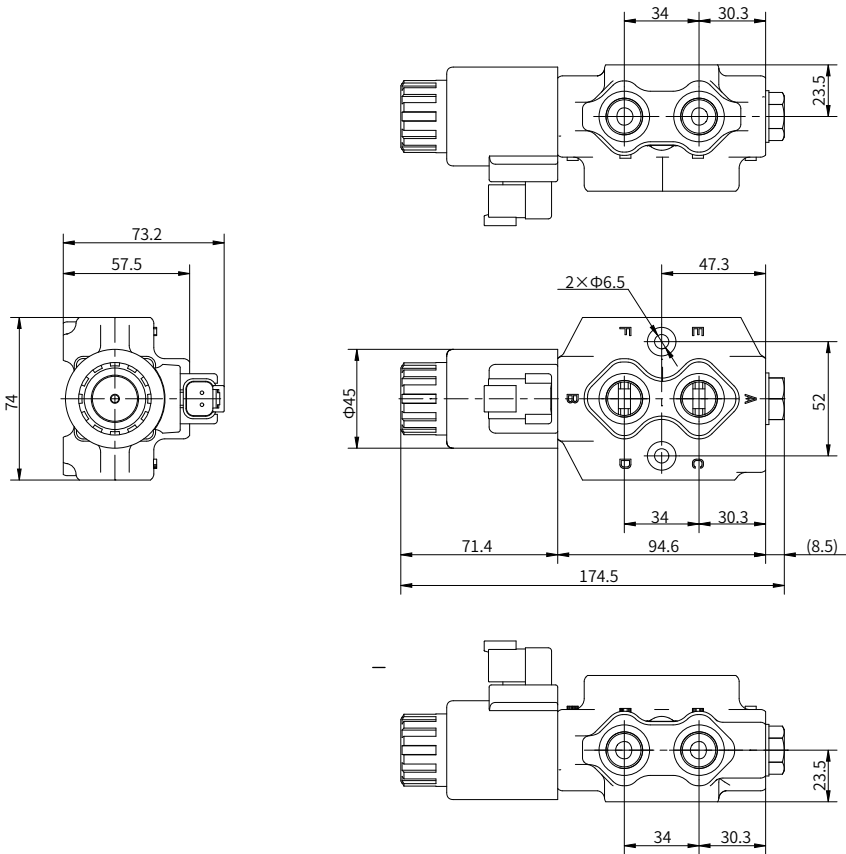
T port: G3/8

Thread dimensions

G3/8: ΦD 23 L 12.5

Unit dimensions

• DHF 06



Port dimension

A port, B port: G3/8

C port, D port: G3/8

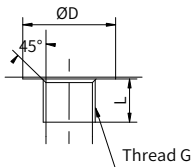
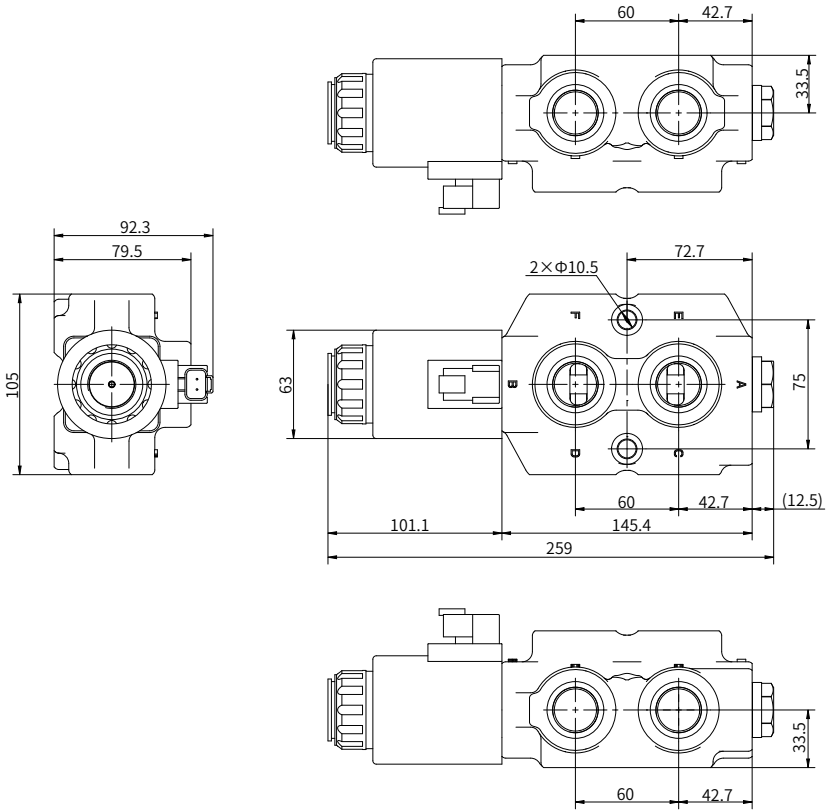
E port, F port: G3/8

Thread dimensions

G3/8: ΦD 23 L 12.5

Unit dimensions

• DHF 14



Port dimension

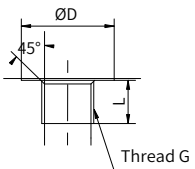
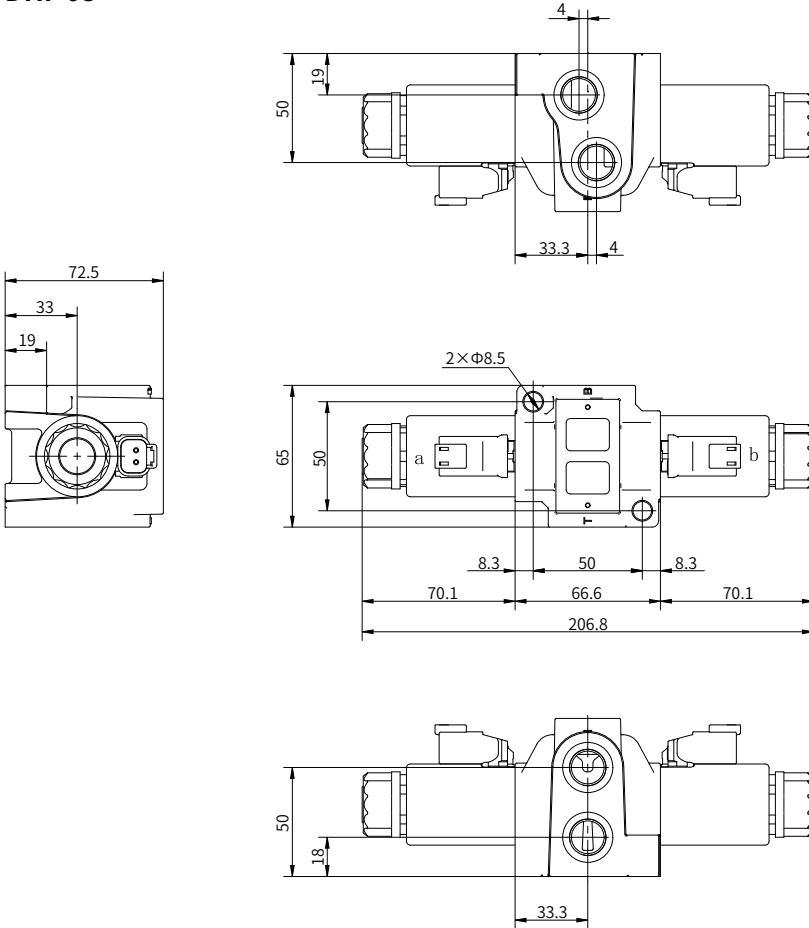
A port, B port: G3/4
 C port, D port: G3/4
 E port, F port: G3/4

Thread dimensions

G3/4: ΦD 33 L 16.5

Unit dimensions

· DHF 05



Port dimension

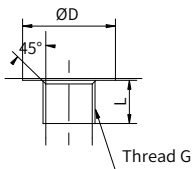
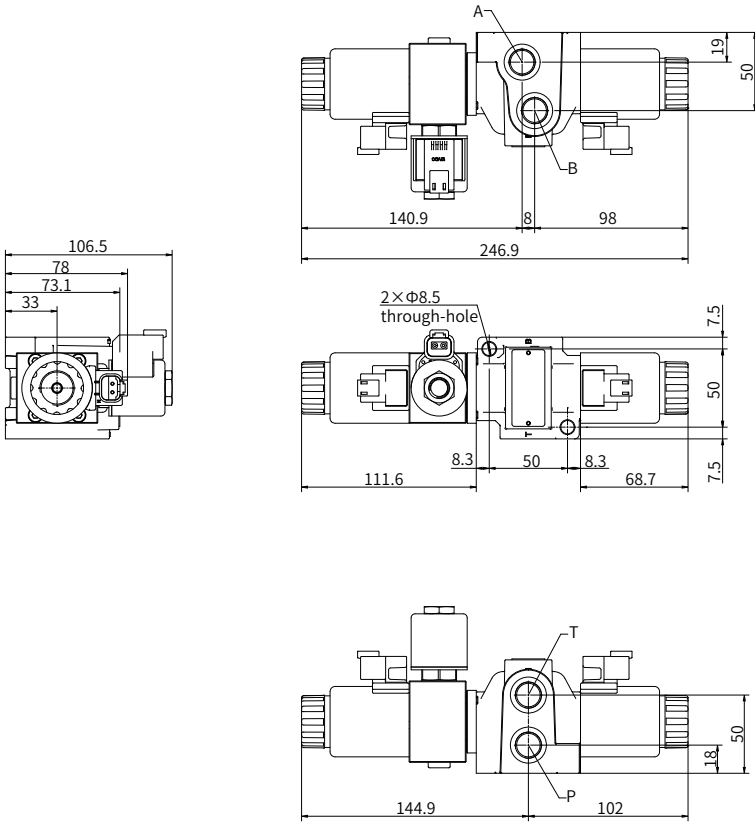
p port: G3/8
 A port: G3/8
 B port: G3/8
 T port: G3/8

Thread dimensions

G3/8: ΦD 23 L 12.5

Unit dimensions

• DHF 05A



Port dimension

p port: G3/8

A port: G3/8

B port: G3/8

T port: G3/8

Thread dimensions

G3/8: $\varnothing D$ 23 L 12.5

China

+86 400 101 8889

America

+01 630 995 3674

Germany

+49 (30) 72088-0

Japan

+81 03 6809 1696



© This brochure can be reproduced, edited, reproduced or transmitted electronically without the authorization of Hengli Hydraulic Company. Due to the continuous development of the product, the information in this brochure is not specific to the specific conditions or applicability of the industry, thus, Hengli does not take any responsibility for any incomplete or inaccurate description.