



2.1

ELECTRIC PILOT REMOTE CONTROL JOYSTICK

Type : RVEH1、RVEH3

Benefits:

- Several ergonomic grips with various E contacts
- CAN BUS output
- High proportional output accuracy



RVEH1
(Multi-function handle lever)



RVEH3

Contents

	Page
Features	03
Section view	04
Technical data	05
Hydraulic diagram	06
Joystick output signal	07
Unit dimension	08-09

Features

1. General introduction

- Two hall angle sensors integrated.
- Proportional output to the angle, overall control accuracy within 2% of full scale.
- Angle sensor endures more than 10 million cycles, protection level: IP67.
- Integrated PCB board, CAN-Bus or PWM output available.
- Ergonomic joystick lever.

2. Applications



Excavator



Tractor loader backhoes



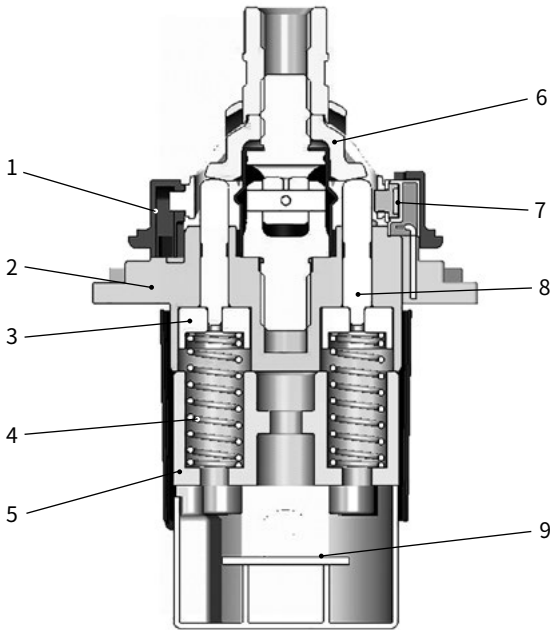
Wheel loaders



Cranes

Section view

· RVEH1、RVEH3



1. Clamp plate
2. Valve body A
3. Spring seat
4. Return spring
5. Valve body B
6. Top cover
7. Angle sensor
8. Rubber boot
9. Reserved area for PCB board

Technical data

• RVEH1

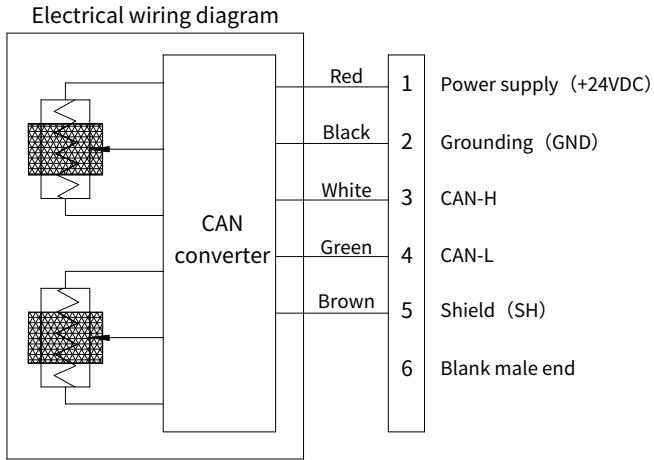
Power supply	Voltage	10 ~ 32VDC			
	Current consumption	< 100mA			
	Impulse current	< 10A			
Signal output	Communication protocol	CAN (SAE J1939)			
	Source address	249			
	Communication rate	250kbps			
	Sampling period	10ms			
	Output accuracy	Temperature range	Neutral position	+END	-END
		-10~15°C	±2%	±1% -2%	+2% -1%
-40~75°C		±3%	+1% -4%	+4% -1%	
Hysteresis	< 1.6%				
Mechanical neutral position		< 0.5			
Application temperature range		-40 ~ 75°C			

• RVEH3

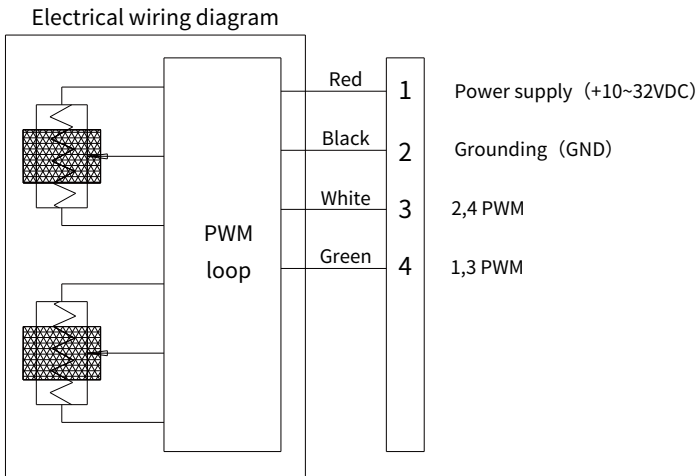
Power supply	Voltage	10 ~ 32VDC			
	Current consumption	1.0V < Output voltage < 4.0V			
Signal output	Output form	PWM			
	PWM Duty cycle	5~95%			
	PWM Frequency	500±50HZ			
	Output accuracy	Temperature range	Neutral position	+END	-END
		-10~15°C	±2%	±1% -2%	+2% -1%
		-40~75°C	±3%	+1% -4%	+4% -1%
Hysteresis	< 1.6%				
Mechanical neutral position		< 0.5			
Application temperature range		-40 ~ 75°C			

Hydraulic diagram

· RVEH1

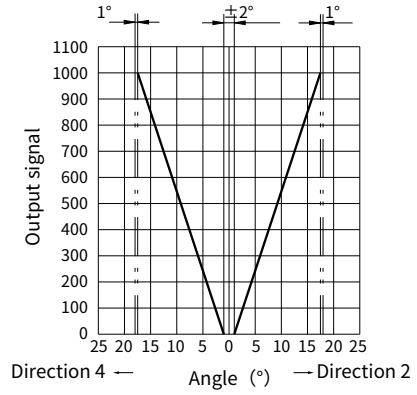
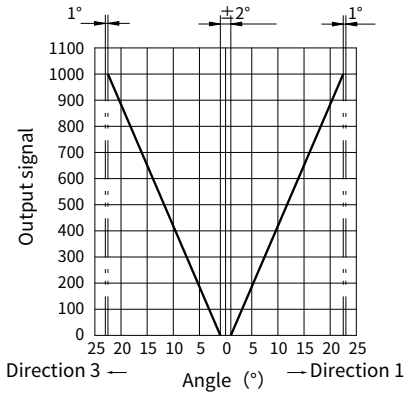


· RVEH3

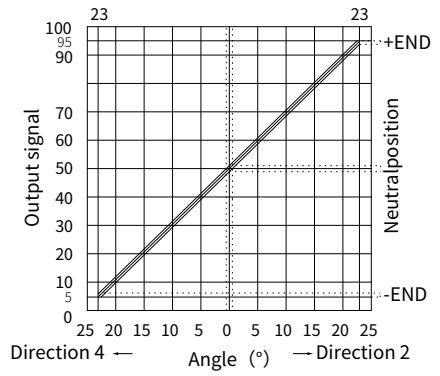
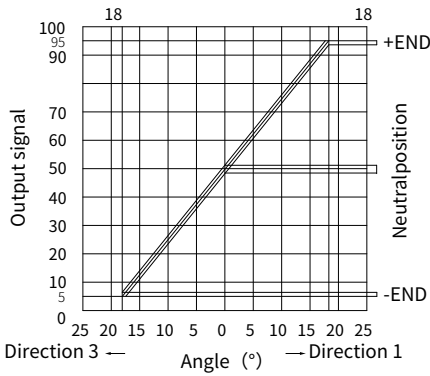


Joystick output signal

• RVEH1



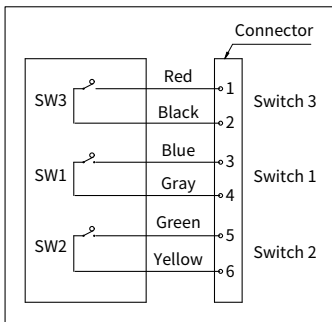
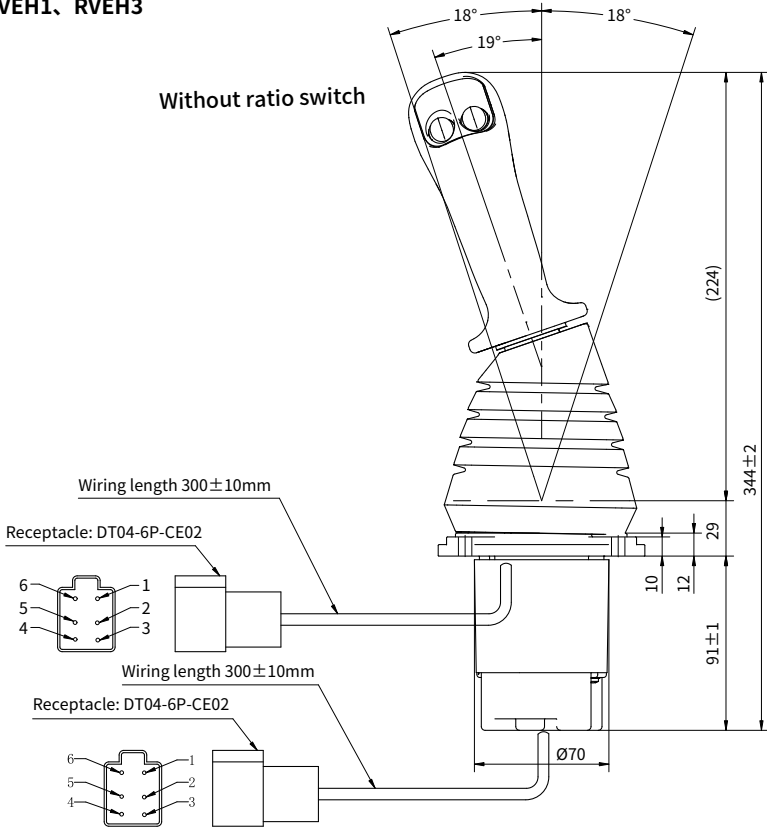
• RVEH3



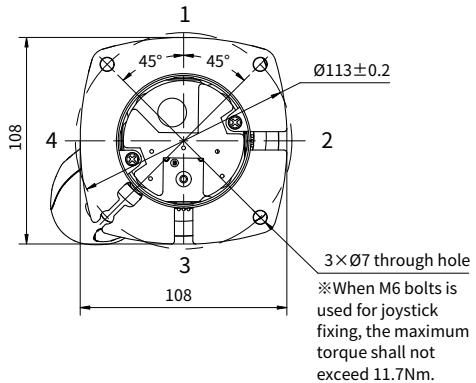
Unit dimension

· RVEH1、RVEH3

Without ratio switch

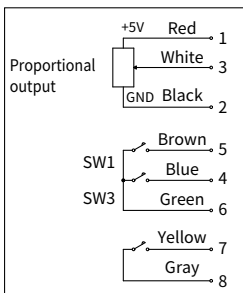
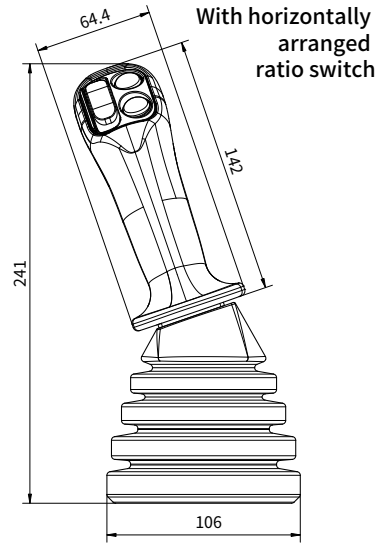
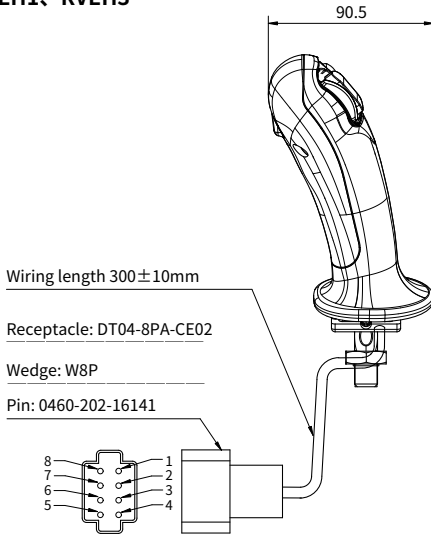


Joystick electric circuit

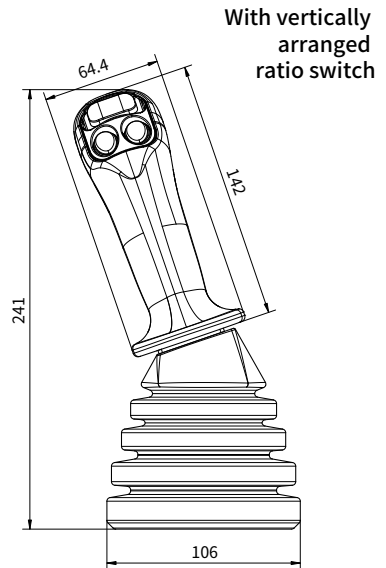
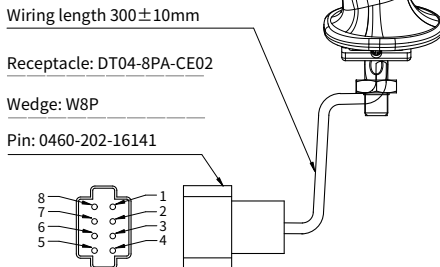


Unit dimension

· RVEH1、RVEH3



Joystick electric circuit



China

+86 400 101 8889

America

+01 630 995 3674

Germany

+49 (30) 72088-0

Japan

+81 03 6809 1696



© This brochure can be reproduced, edited, reproduced or transmitted electronically without the authorization of Hengli Hydraulic Company. Due to the continuous development of the product, the information in this brochure is not specific to the specific conditions or applicability of the industry, thus, Hengli does not take any responsibility for any incomplete or inaccurate description.