



1.6

# HVME SERIES

## MOBILE CONTROL VALVE (MONOBLOCK)

### HVME:

Nominal size	180	180B
Rated flow(L/min)	180×2	180×2

### Benefits:

- Monoblock type, compact design, lighter weight
- Valve confluence, improve efficiency
- Priority circuit, enhance coordination



## Contents

Features	03
Technical data	03
HVME180 Hydraulic diagram	04
HVME180 Unit dimensions	05
HVME18B Hydraulic diagram	06
HVME180B Unit dimensions	07

## Features

### 1. Structure

- Monoblock design

### 2. Applications



Excavators  
(10 ~ 18 ton)



Drilling rigs  
( 6T.m~12T.m )

01

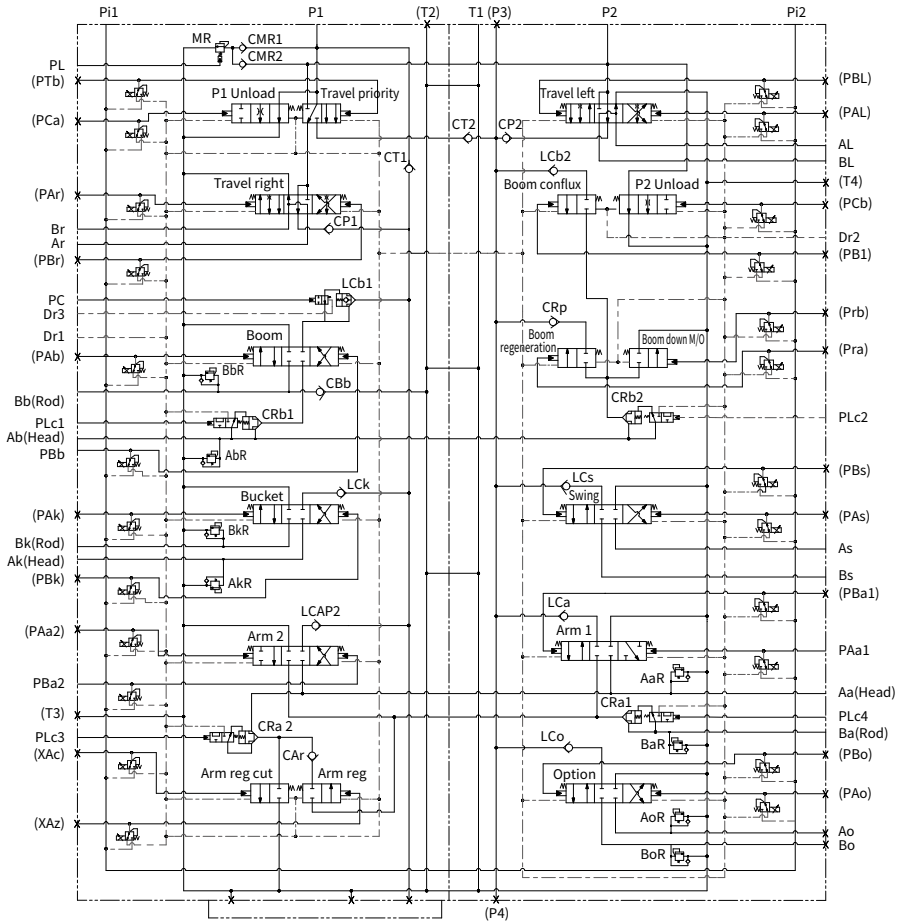
## Technical data

Nominal size		180	180B
Standard pressure	bar	343	343
Boost pressure	bar	378	378
Rated flow	L/min	180×2	180×2
Applications (Excavators)	ton	10~18	10~18
Control methods		Positive flow	Positive and negative flow

# Hydraulic diagram

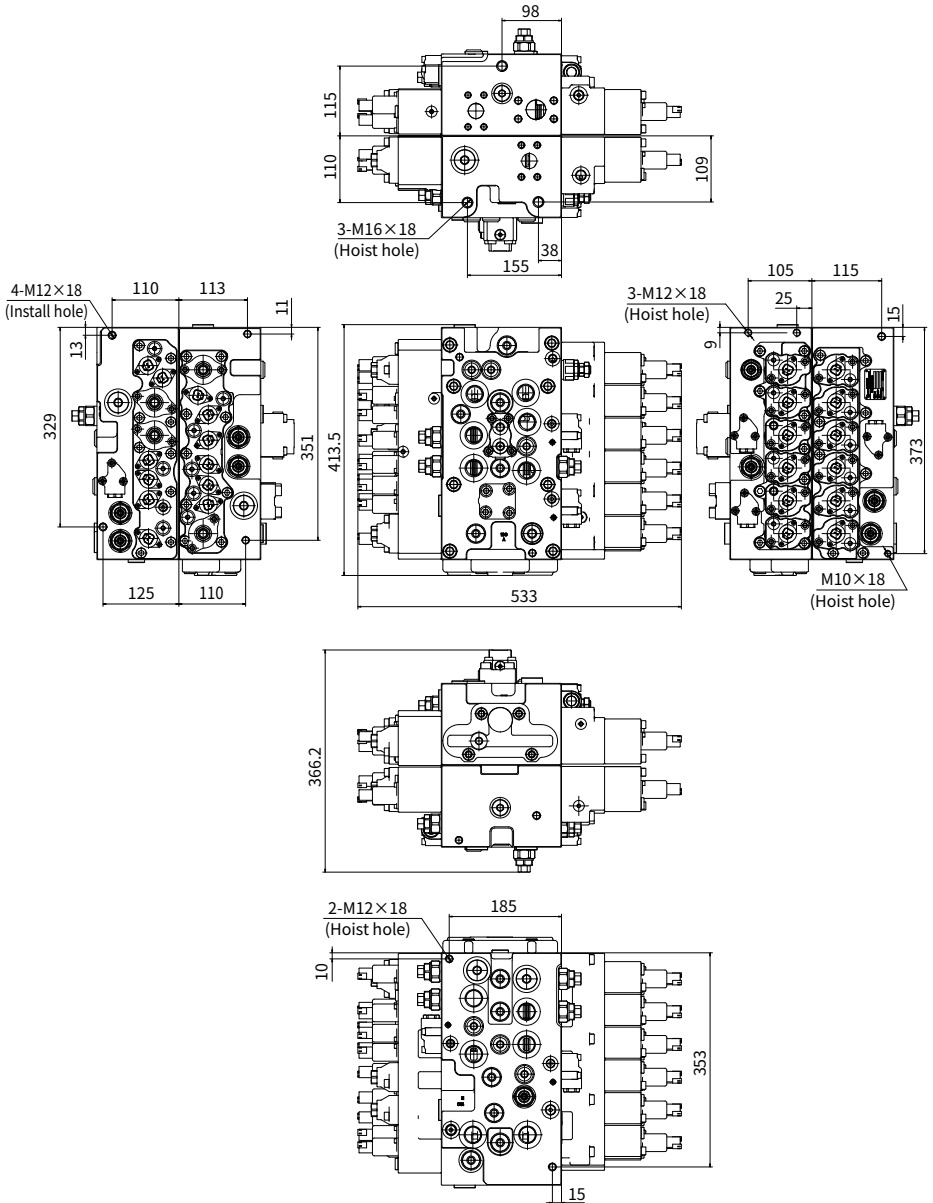
## · HVME180

01



# Unit dimensions

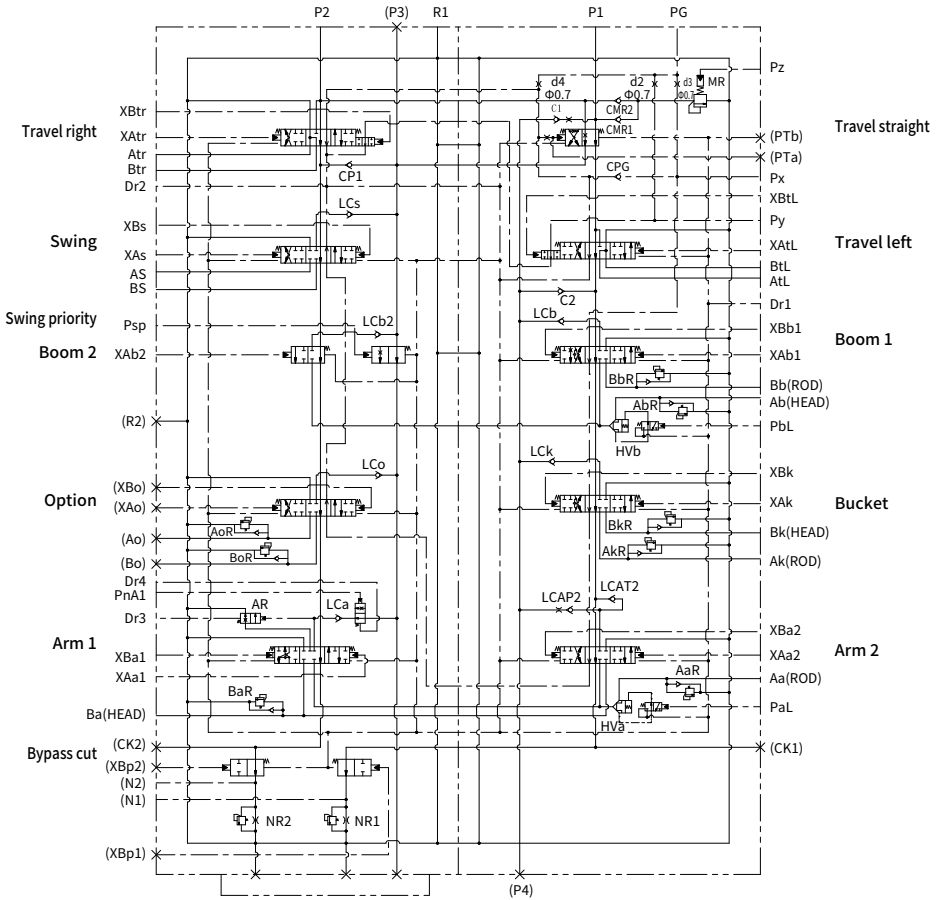
## · HVME180



01

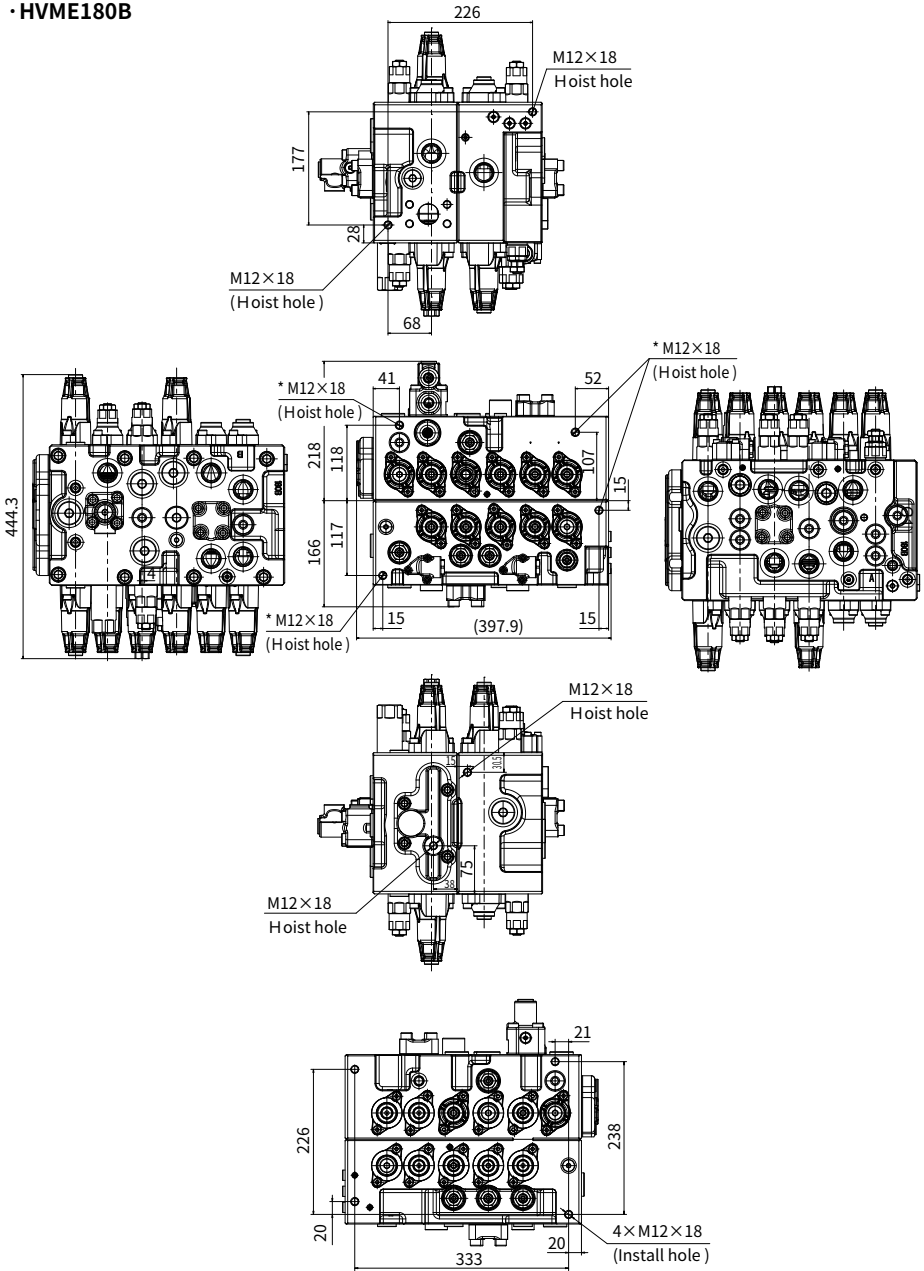
# Hydraulic diagram

## · HVME180B



# Unit dimensions

## · HVME180B



01

**China**

+86 400 101 8889

**America**

+01 630 995 3674

**Germany**

+49 (30) 72088-0

**Japan**

+81 03 6809 1696



© This brochure can be reproduced, edited, reproduced or transmitted electronically without the authorization of Hengli Hydraulic Company. Due to the continuous development of the product, the information in this brochure is not specific to the specific conditions or applicability of the industry, thus, Hengli does not take any responsibility for any incomplete or inaccurate description.